

BELL COLLECTION
Ref: BL002, BL017,
BL018 and BL019

Table frame composed by a crosshead, a round column, a square base with cover and levelers (models BL018 and BL019 have ground fixing system) (dimensions and finishes available below).

Note: View below the recommended frame size according to the tabletop desired.

METAL

CC FT VC IL PC BL INE

DIMENSIONS & PACKING

On the next page...



BL002



BL017



BL018



BL019



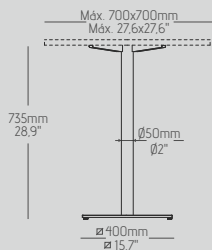
BL020



BELL COLLECTION
Ref: BL002, BL017,
BL018 and BL019

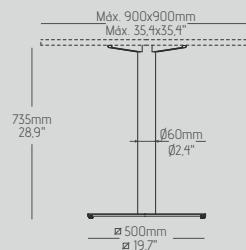
DIMENSIONS & PACKING
DINNER TABLES

BL002



1pc: 17kg 2 pcs: w45 x d40 x h75 cm | 48kg | 0.135m³
 1pc: 37.5lbs 2 pcs: w17.7 x d15.7 x h29.5" | 75lbs | 0.238,2in³

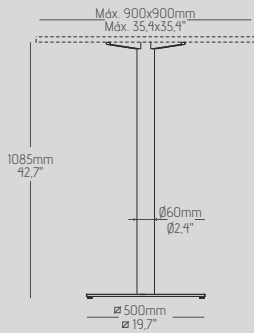
BL017



1pc: 23kg 2 pcs: w50 x d58 x h75 cm | 46kg | 0.22m³
 1pc: 50.7lbs 2 pcs: w19.7 x d22.8 x h29.5" | 101.4lbs | 13.425,2in³

HIGH TABLES

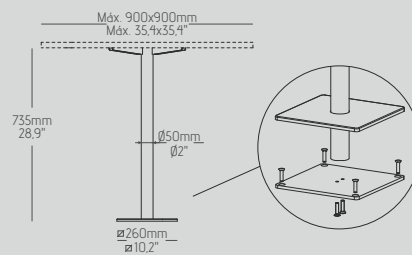
BL018



1pc: 24kg 2 pcs: w 50 x d58 x h110 cm | 48kg | 0.32m³
 1pc: 52.9lbs 2 pcs: w19.7 x d22.8 x h43.3" | 105.8lbs | 19.527,6in³

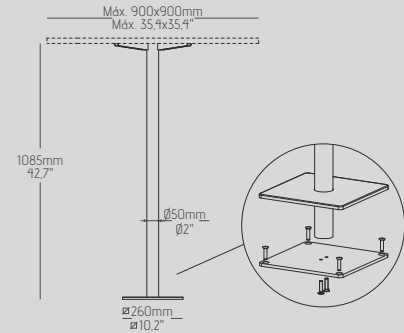
GROUND FIXING SYSTEM

BL019



1pc: 7kg 2 pcs: w33 x d36 x h75 cm | 14kg | 0.09m³
 1pc: 15.4lbs 2 pcs: w13 x d14.2 x h29.5" | 30.9lbs | 5.492,1in³

BL020



1pc: 8kg 2 pcs: w33 x d36 x h110 cm | 16kg | 0.13m³
 1pc: 17.6lbs 2 pcs: w13 x d14.2 x h43.3" | 35.3lbs | 7.994,1in³

