



## Ref: SP053

SPACE II is the right family for any training room. Folding legs equipped with stacking protection, makes transport and storage easy. This trolley can carry up to 13 tables.

## Finishes Available

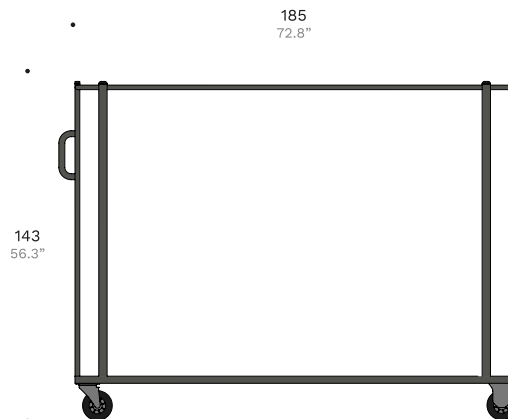
### Structure

- CC
- PE41
- PE15
- PE35
- PE12

## Packing

1 box (1pc) | 27kg | w52 x d187 x h145 | 1.41m<sup>3</sup>

1 box (1pc) | 59.5lbs | w20.5" x d73.6" x h57.1" | 86 042.3in<sup>3</sup>



## SPACE II Collection



Table



Corner



Trolley

## Finishes Available

### Structure

CC Classic Smooth Collection Powder Coating | Pintura Coleção Clássica Lisa  
Peinture Classique Lisse Collection | Pintura Colección Clásica Lisa



PE41



PE15



PE35



PE12