



Ref: SP054

SPACE II is the right family for any training room. Folding legs equipped with stacking protection, makes transport and storage easy. This trolley can carry up to 13 tables.

Finishes Available

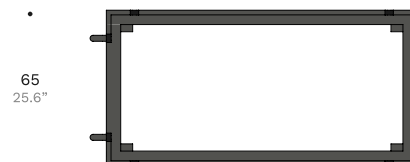
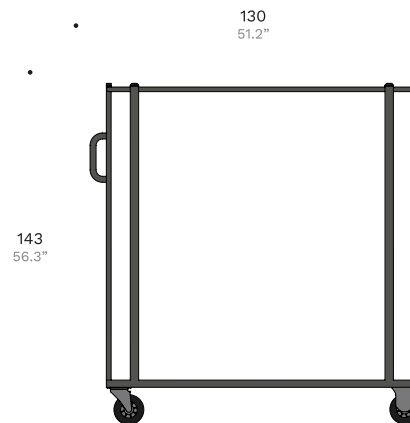
Structure

- CC
- PE41
- PE15
- PE35
- PE12

Packing

1 box (1pc) | 24.7kg | w67 x d132 x h145 | 1.28m³

1 box (1pc) | 54.5lbs | w26.4" x d52" x h57.1" | 78 255.6in³



SPACE II Collection



Table



Corner



Trolley

Finishes Available

Structure

CC Classic Smooth Collection Powder Coating | Pintura Coleção Clássica Lisa
Peinture Classique Lisse Collection | Pintura Colección Clásica Lisa



PE41



PE15



PE35



PE12