



## Ref: SP062

SPACE II is the right family for any training room. Folding legs equipped with stacking protection, makes transport and storage easy. This trolley can carry up to 13 tables.

## Finishes Available

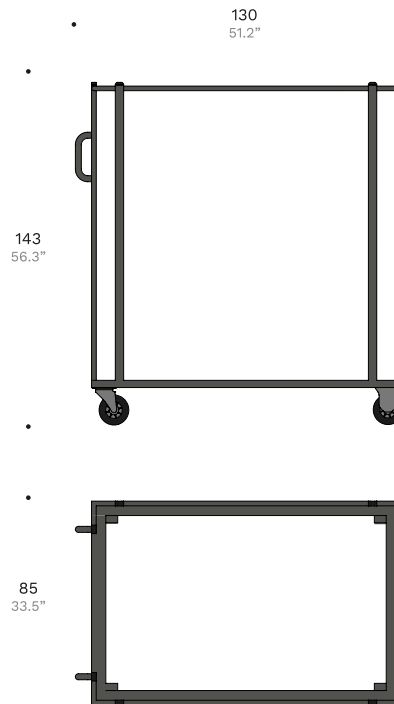
### Structure

- CC
- PE41
- PE15
- PE35
- PE12

## Packing

1 box (1pc) | 25.5kg | w87 x d132 x h145 | 1.67m<sup>3</sup>

1 box (1pc) | 56.2lbs | w34.3" x d52" x h57.1" | 101 615.5in<sup>3</sup>



## SPACE II Collection



Table



Corner



Trolley

## Finishes Available

### Structure

CC Classic Smooth Collection Powder Coating | Pintura Coleção Clássica Lisa  
Peinture Classique Lisse Collection | Pintura Colección Clásica Lisa



PE41



PE15



PE35



PE12